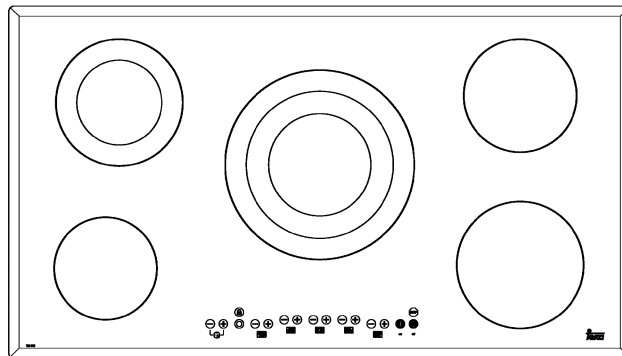


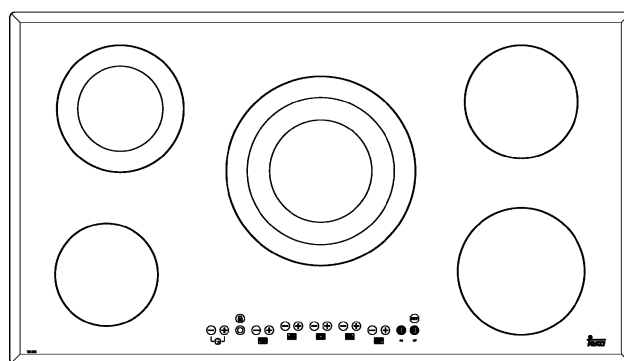
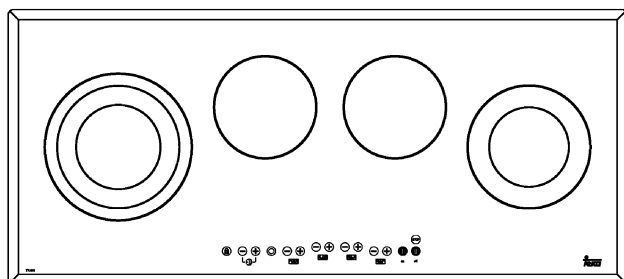


- ES** INSTRUCCIONES PARA LA INSTALACIÓN Y RECOMENDACIONES DE USO Y MANTENIMIENTO
ENCIMERAS VITROCERÁMICAS TOUCH CONTROL
- PT** INSTRUÇÕES DE INSTALAÇÃO E RECOMENDAÇÕES PARA A UTILIZAÇÃO E MANUTENÇÃO
PLACAS DE COZINHA VITROCERÂMICAS TOUCH CONTROL
- GB** INSTALLATION INSTRUCTIONS AND RECOMMENDATIONS FOR USING AND MAINTAINING
CERAMIC HOT PLATES TOUCH CONTROL
- DE** MONTAGEANLEITUNG UND EMPFEHLUNGEN ZUR VERWENDUNG UND WARTUNG
GLASKERAMIK-KOCHFELDER MIT TOUCH CONTROL
- FR** INSTRUCTIONS POUR L'INSTALLATION ET CONSEILS D'UTILISATION ET D'ENTRETIEN
PLAQUES DE CUISSON VITROCÉRAMIQUE TOUCH CONTROL
- GR** ΟΔΗΓΙΕΣ ΕΓΚΑΤΑΣΤΑΣΗΣ ΚΑΙ ΣΥΣΤΑΣΕΙΣ ΓΙΑ ΤΗ ΧΡΗΣΗ ΚΑΙ ΣΥΝΤΗΡΗΣΗ ΤΩΝ
ΚΕΡΑΜΙΚΩΝ ΕΣΤΙΩΝ ΠΛΗΚΤΡΑ ΑΦΗΣ
- BG** ИНСТРУКЦИИ ЗА МОНТАЖ И ПРЕПОРЪКИ ЗА ИЗПОЛЗВАНЕ И ПОДДРЪЖКА
СТЪКЛОКЕРАМИЧНИ ПЛОТОВЕ СЪС СЕНЗОРНО ПРАВЛЕНИЕ
- TR** KULLANMA VE MUHAFAZA İÇİN KURULUM TALIMATLARI VE TAVSIYELERİ
SERAMİK ISITMA PLAKALARI DOKUNMATİK KONTROL
- PL** INSTRUKCJA OBSŁUGI, MONTAŻU ORAZ WSKAZÓWKI DOTYCZĄCE PIELĘGNACJI
CERAMICZNYCH PŁYT KUCHENNYCH TOUCH CONTROL
- HU** BESZERELÉSI UTASÍTÁSOK VALAMINT A HASZNÁLATTAL ÉS A KARBANTARTÁSSAL KAPCSOLATOS JAVASLATOK
ÜVEGKERÁMIA LAPOS FŐZŐLAPOK TOUCH CONTROL
- CS** NÁVOD K INSTALACI A DOPORUČENÍ K PROVOZU A ÚDRŽBĚ
SKLOKERAMICKÉ VARNÉ DESKY TOUCH CONTROL
- SK** NÁVOD NA INŠTALÁCIU A ODPORÚČANIA PRE POUŽÍVANIE A ÚDRŽBU
KERAMICKÝCH VARNÝCH PLATNÍ DOTYKOVÉ OVLÁDANIE
- RO** INSTRUCȚIUNI DE INSTALARE ȘI RECOMANDĂRI DE UTILIZARE ȘI ÎNTREȚINERE
PLITE DE GĂTIT INCORPORABILE VITROCERAMICE TOUCH CONTROL
- RU** ИНСТРУКЦИЯ ПО УСТАНОВКЕ И РЕКОМЕНДАЦИИ ПО УХОДУ И ИСПОЛЬЗОВАНИЮ
КЕРАМИЧЕСКИХ ВАРОЧНЫХ ПАНЕЛЕЙ СЕНСОРНОЕ ПРАВЛЕНИЕ
- UA** ПОСІБНИК З УСТАНОВКИ ТА РЕКОМЕНДАЦІЇ З ВИКОРИСТАННЯ ТА ОБСЛУГОВУВАННЯ
СКЛОКЕРАМІЧНИХ ВАРІЛЬНИХ ПОВЕРХОНЬ TOUCH CONTROL
- NL** AANWIJZINGEN VOOR DE INSTALLATIE EN RAADGEVINGEN VOOR GEBRUIK EN ONDERHOUD
KERAMISCHE KOOKPLATEN TOUCH CONTROL
- AR** تعليمات التركيب ونصائح الاستعمال والصيانة
أفران زجاجية للطبخ فيتروسيراميك توتش كونترول



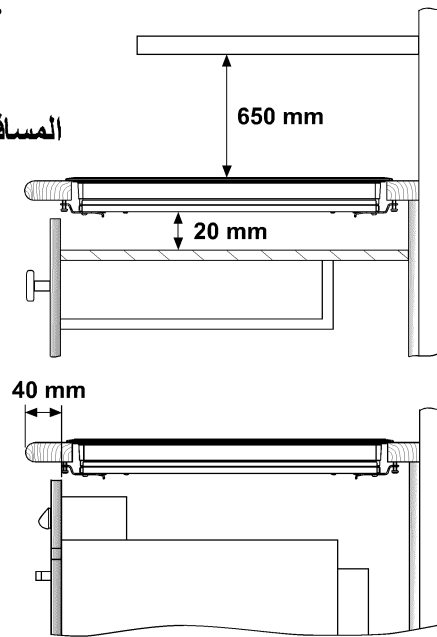
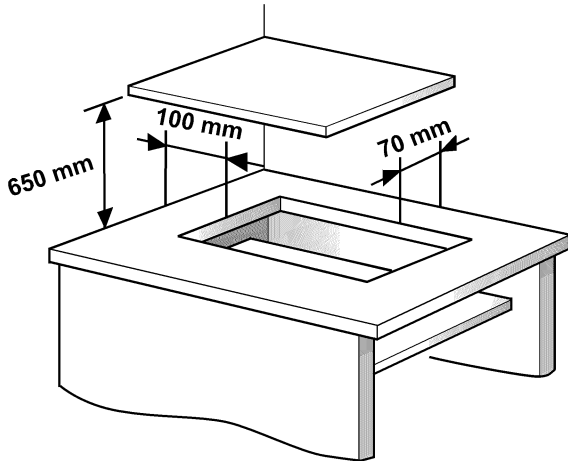
ES	INSTRUCCIONES PARA LA INSTALACIÓN Y RECOMENDACIONES DE USO Y MANTENIMIENTO ENCIMERAS VITROCERÁMICAS TOUCH CONTROL pag. 5
PT	INSTRUÇÕES DE INSTALAÇÃO E RECOMENDAÇÕES PARA A UTILIZAÇÃO E MANUTENÇÃO PLACAS DE COZINHA VITROCERÂMICAS TOUCH CONTROL12
GB	INSTALLATION INSTRUCTIONS AND RECOMMENDATIONS FOR USING AND MAINTAINING CERAMIC HOT PLATES TOUCH CONTROL19
DE	MONTAGEANLEITUNG UND EMPFEHLUNGEN ZUR VERWENDUNG UND WARTUNG GLASKERAMIK-KOCHFELDER MIT TOUCH CONTROL25
FR	INSTRUCTIONS POUR L'INSTALLATION ET CONSEILS D'UTILISATION ET D'ENTRETIEN PLAQUES DE CUISSON VITROCÉRAMIQUE TOUCH CONTROL32
GR	ΟΔΗΓΙΕΣ ΕΓΚΑΤΑΣΤΑΣΗΣ ΚΑΙ ΣΥΣΤΑΣΕΙΣ ΓΙΑ ΤΗ ΧΡΗΣΗ ΚΑΙ ΣΥΝΤΗΡΗΣΗ ΤΩΝ ΚΕΡΑΜΙΚΩΝ ΕΣΤΙΩΝ ΠΛΗΚΤΡΑ ΑΦΗΣ39
BG	ИНСТРУКЦИИ ЗА МОНТАЖ И ПРЕПОРЪКИ ЗА ИЗПОЛЗВАНЕ И ПОДДРЪЖКА СТЪКЛОКЕРАМИЧНИ ПЛОТОВЕ СЪС СЕНЗОРНО ПРАВЛЕНИЕ46
TR	KULLANMA VE MUHAFAZA İÇİN KURULUM TALİMATLARI VE TAVSİYELERİ SERAMİK ISITMA PLAKALARI DOKUNMATİK KONTROL53
PL	INSTRUKCJA OBSŁUGI, MONTAŻU ORAZ WSKAZÓWKI DOTYCZĄCE PIELĘGNACJI CERAMICZNYCH PŁYT KUCHENNYCH TOUCH CONTROL59
HU	BESZERELÉSI UTASÍTÁSOK VALAMINT A HASZNÁLATTAL ÉS A KARBANTARTÁSSAL KAPCSOLATOS JAVASLATOK ÜVEGKERÁMIA LAPOS FŐZŐLAPOK TOUCH CONTROL66
CS	NÁVOD K INSTALACI A DOPORUČENÍ K PROVOZU A ÚDRŽBĚ SKLOKERAMICKÉ VARNÉ DESKY TOUCH CONTROL73
SK	NÁVOD NA INŠTALÁCIU A ODPORÚČANIA PRE POUŽÍVANIE A ÚDRŽBU KERAMICKÝCH VARNÝCH PLATNÍ DOTYKOVÉ OVLÁDANIE79
RO	INSTRUCȚIUNI DE INSTALARE ȘI RECOMANDĂRI DE UTILIZARE ȘI ÎNTREȚINERE PLITE DE GĂTIT INCORPORABILE VITROCERAMICE TOUCH CONTROL85
RU	ИНСТРУКЦИЯ ПО УСТАНОВКЕ И РЕКОМЕНДАЦИИ ПО УХОДУ И ИСПОЛЬЗОВАНИЮ КЕРАМИЧЕСКИХ ВАРОЧНЫХ ПАНЕЛЕЙ СЕНСОРНОЕ ПРАВЛЕНИЕ92
UA	ПОСІБНИК З УСТАНОВКИ ТА РЕКОМЕНДАЦІЇ З ВИКОРИСТАННЯ ТА ОБСЛУГОВУВАННЯ СКЛОКЕРАМІЧНИХ ВАРІЛЬНИХ ПОВЕРХОНЬ TOUCH CONTROL99
NL	AANWIJZINGEN VOOR DE INSTALLATIE EN RAADGEVINGEN VOOR GEBRUIK EN ONDERHOUD KERAMISCHE KOOKPLATEN TOUCH CONTROL106
AR	تعليمات التركيب ونصائح الاستعمال والصيانة أفران زجاجية للطبخ فيتروسيراميك توتش كونترول 112

**Presentación / Apresentação / Presentation /
Präsentation / Présentation / Παρουσίαση /
Представяне / Tanıtım / Wprowadzenie / Bemutató /
Provedení / Predstavenie / Presentare / Внешний вид /
Зовнішній вигляд / Presentatie / العرض**

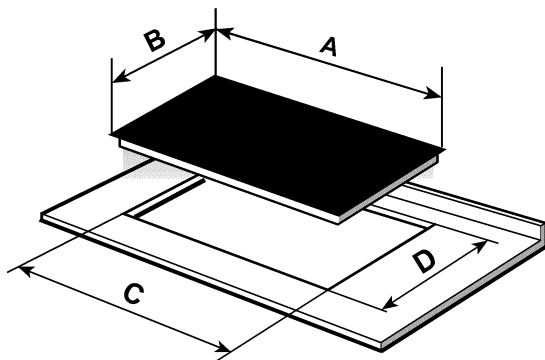
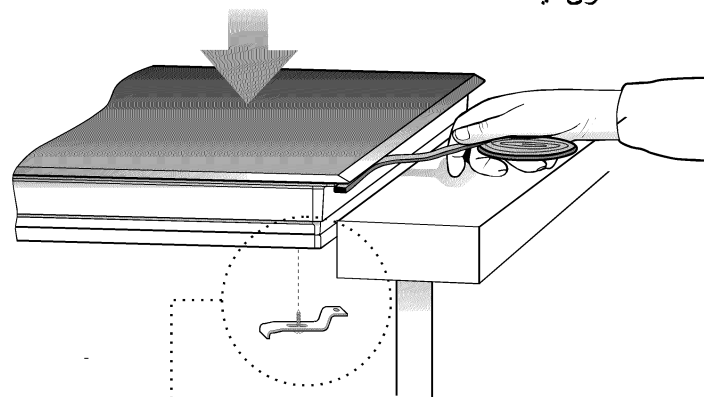
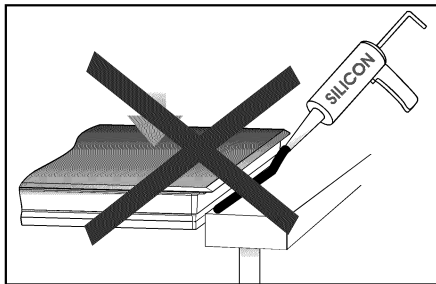




**Instalación / Instalação / Installation / Montage / Installation / Εγκατάσταση /
 Монтаж / Kurulum / Montáž / Beszerelés / Instalace / Inštalácia / Instalare /
 Установка / Установка / Montage / التركيب**

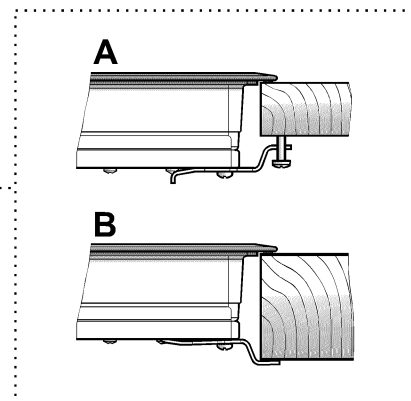
Distancias mínimas / Distâncias mínimas / Minimum distances /
 Mindestabstände / Distances minimales / Ελάχιστες αποστάσεις
 / Минимални разстояния / Minimum mesafeler / Minimalne
 odległości / Minimális távolságok / Minimální vzdálenosti /
 Minimálne vzdialenosti / Distanțe minime / Минимальные
 расстояния / мінімальні відстані / Minimum afmetingen / المسافة الدنيا



Horno Teka / Forno TEKA / TEKA Oven / TEKA-Herd
 / Four TEKA / Φούρνος TEKA / Фурна TEKA / TEKA
 Fırın / Piekarnik TEKA / TEKA sütő / Trouba TEKA /
 Rúra na pečenie TEKA / TEKA Cuptor / Духовка
 TEKA / TEKA Oven / فرن تيكا



	A	B	C	D
	900	400	860	380
	900	510	860	490



Unidades en mm / Unidades em mm / Units in mm / Einheiten in mm /
 Unités en mm / Μονάδες σε mm / Елементите в мм / mm cinsiden birimler
 / Wymiary w mm / Egységek mm-ben / Jednotky v mm / Jednotky v mm /
 Unități în mm / Размеры в мм / розміри в мм / Eenheden in mm / الوحدات بالملم

Safety warnings:

⚠ If the ceramic glass breaks or cracks, immediately unplug the stovetop to avoid electric shocks.

⚠ This appliance is not designed to work with an external timer (not built into the appliance) or a separate remote control system.

⚠ Do not steam clean this device.

⚠ The device and its accessible parts may heat up during operation. Avoid touching the heating elements. Children younger than 8 years old must stay away from the stovetop unless they are permanently supervised.

⚠ This device may solely be used by children 8 years old or older, people with impaired physical, sensory or mental abilities, or those who lack experience and knowledge, **ONLY** when supervised or if they have been given adequate instruction on the use of the device and understand the dangers its use involves. User cleaning and maintenance may not be done by unsupervised children.

⚠ Children must not play with the device.

⚠ Precaution. It is dangerous to cook with fat or oil without being present, as these may catch fire. Never try to extinguish a fire with water! in this event disconnect the device and cover the flames with a lid, a plate or a blanket.

⚠ Do not store any object on the cooking areas

of the stovetop. Prevent a possible fire hazard.

Installation

Placement with cutlery drawer

If you wish to install furniture or a cutlery drawer under the stovetop, a separation board must be fitted between the two. Accidental contact with the hot surface of the device's housing is thus prevented.

The board must be fitted 20 mm beneath the under part of the stovetop.

Electrical connection

Electrical connection will be via an all-pole circuit breaker or plug, whenever accessible, in accordance with the current and with a minimum 3 mm distance between contacts. This ensures disconnection in emergencies and allows hot plate cleaning.

The connection must be earthed, in accordance with legislation in force.

Before you connect the hot plate to the mains, check that the voltage and frequency match those specified on the hot plate nameplate, which is attached underneath it, or on the technical data sheet, which you must keep together with this manual throughout the product's service life.

⚠ Only the TEKA official technical service can handle or repair the appliance, including replacement of the power cable.

Ensure that the inlet cable does not come into contact with the hot plate housing or the oven housing, if it is installed in the same unit.

📖 Keep the Guarantee Certificate or the technical data sheet together with the instructions manual throughout the product's service life. These contain important technical information.

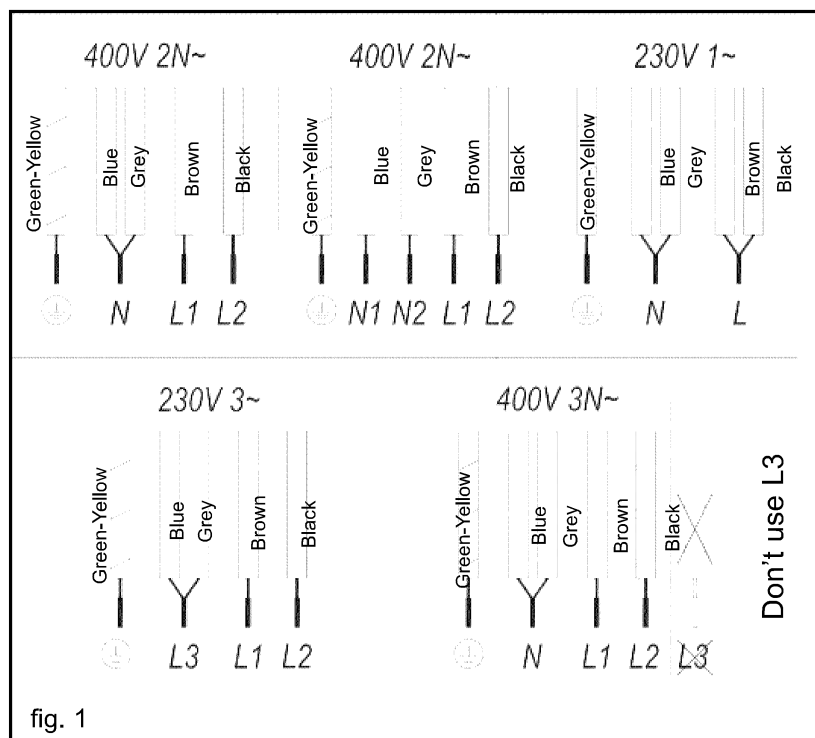


fig. 1

GB

Use and Maintenance

Instructions for Using the Touch Control

CONTROLS (figs. 2 and 3)

- ① On touch button.
- ② Off touch button.
- ③ "Increase" power touch button.
- ④ "Decrease" power touch button.
- ⑤ Hot plate display.
- ⑥ Double/triple burner selection button (multiple burner hot plate).
- ⑦ Lock touch button (to lock the other touch buttons, except the on and off buttons).
- ⑧ Hot plate double burner on display.
- ⑨ Lock activated display.
- ⑩ Stop function touch button.
- ⑪ Clock display.
- ⑫ Hot plate display.
- ⑬ "Decrease" time touch button.
- ⑭ "Increase" time touch button.
- ⑮ Timer/clock display.
- ⑯ Power display.
- ⑰ Hot plate burners operating display.
- ⑱ Clock running display.

* Only visible while running.

The touch buttons activate the controls, and each is linked to a display. You do not need to exert force on the touch button, you only need to touch it with the tip of your fingertip to activate the function.

Each action is verified by a beep.

SWITCHING THE APPLIANCE ON

1 Press the on touch button ① (1) for at least one second. The touch control will become activated, you will hear a beep and the displays will light up. If any surface is hot, the display will flash *H* and *U* alternately.

If you do not take any action in the next 10 seconds the touch control will switch off automatically.

When the touch control is activated, you can disconnect it at any time by touching the touch button ① (2), even if it has been locked (lock function activated). The touch button ① (2) always has priority to disconnect the touch control.

ACTIVATING THE HOT PLATES

The hot plates will be deactivated, with their respective power displays (16) to *U*, until a power level is selected. If all of the hot plates are at *U*, you have 10 seconds to activate one of them, otherwise the touch control will switch off automatically.

Use the touch buttons ⊖ and ⊕ (4/3) to select a power level. If you press the touch button ⊕ (3), the hot plate will change to 1 and the hot plate burner display (17) will light up. Keep pressing it to increase the power level. You can lower the power level using the touch button ⊖ (4).

Quick switch-on at maximum power: with the hot plate at *U*, press the touch button ⊖ (4) once. The hot plate will go straight to 9.

If you keep either of these two touch buttons ⊖ or ⊕ (4/3) pressed down, they will repeat the action every half a second, without you needing to press them again.

SWITCHING THE HOT PLATES OFF

Using the touch button ⊖ (4) lower the power to *U*.

The hot plate will switch off automatically.

Quick switch-off: Regardless of the power level, if you press touch buttons ⊖ and ⊕ (4/3), the hot plate will switch off immediately.

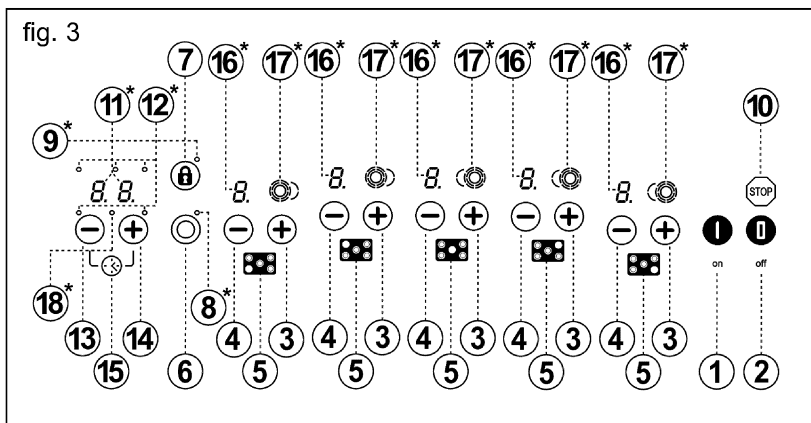
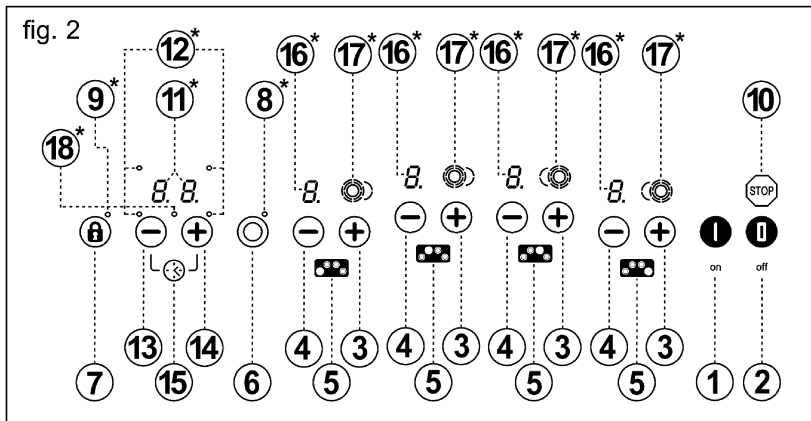
RESIDUAL HEAT display

The power display will display an *H* when the glass surface reaches a temperature that could cause burning. When this risk disappears, the display switches off (if the appliance is disconnected), or displays a *U* (if the appliance is still connected). Switch the hot plate off before the cooking time ends to make the most of the residual heat and save on electricity.

Warning: If while the *H* is still displayed there is a power cut and the power returns immediately, the residual heat displays will not light up again, even though the cooking surfaces are still hot. Bear this in mind.

SWITCHING THE APPLIANCE OFF

You can disconnect the hot plate at



any time by pressing the touch button **⏻** (2). You will hear a noise and the power displays (16) will switch off, except for the *H* residual heat display, if necessary due to the surface temperature.

Double and Triple Burner Hot Plates

With double and triple burner hot plates you can use the inner ring, or the inner and the outer rings, depending on the size of the pan.

CONNECTING / SWITCHING THE DOUBLE BURNER HOT PLATE ON

- 1 Select the desired power (from 1 to 9) by pressing touch button **⊕** or **⊖** (3/4). The hot plate burner display (17) will light up.
- 2 Press the multiple burner hot plate touch button **⊙** (6) and then the touch button **⊕** or **⊖** (3/4) for the chosen hot plate. The hot plate display (17) will show the second ring.

DISCONNECTING/SWITCHING THE DOUBLE BURNER HOT PLATE OFF

- 1 Press the multiple burner hot plate touch button **⊙** (6) and then the touch button **⊕** or **⊖** (3/4) for the chosen hot plate. The second ring will disappear from the hot plate burner display (17).

CONNECTING / SWITCHING THE TRIPLE BURNER HOT PLATE ON

With triple burner models, if once the second burner has been switched on you press the multiple burner hot plate touch button **⊙** (6) and then the touch button **⊖** or **⊕** (3/4), instead of the second burner switching off, the third one will switch on.

DISCONNECTING / SWITCHING THE TRIPLE BURNER HOT PLATE OFF

To disconnect the third burner, press the multiple burner hot plate touch button **⊙** (6) and then the touch button **⊖** or **⊕** (3/4). The third ring will disappear from the hot plate burner display (17).

If you repeat this step the second burner will be disconnected and the

display will switch off (17).

STOP function

This function allows you to pause the cooking process. If the timer function is activated, it will also go into pause mode.

Activating the Stop function

- 1 The pans are on the cooking surfaces, which are on at a specific level.
- 2 Press the Stop touch button **⏻** (10). The power displays (16) will display the letter S-T-O-P successively instead of the selected cooking levels. The function will be paused.

Deactivating the Stop function

- 1 Press the Stop touch button **⏻** (10) and then any other, except the off button **⏻** (2). The cooking process will resume with the same power levels and set as previously.

You must press the second touch button within 10 seconds or the function will be deactivated. The appliance will switch off if the cooking process is not resumed after a ten minute pause.

Function to keep a pan hot

You can use this function to keep food hot in a pan on the cooking surface.

- 1 There is a pan on one of the hot plates with a previously set cooking level.
- 2 Press the touch button **⊖** (4) and keep it pressed down until the cooking level lowers to **U**. This is an intermediate level between **U** and **1**.

To disconnect this function, just press the minus button **⊖** (4) until it reaches **U**. This function will only work for a maximum of 120 minutes, after which the appliance will switch off.

Safety switch off function

If due to an error one or several hot plates do not switch off, the appliance will be automatically disconnected after a set amount of time (see table 1).

Table 1

Selected power	Maximum operating time (in minutes)
1	520
2	402
3	318
4	260
5	212
6	170
7	139
8	113
9	90

When the "safety switch off" function has been activated, a **U** is displayed if the glass surface temperature is not dangerous for the user or an *H* if there is risk of burning.

To reconnect the appliance, switch it off by pressing the off button **⏻** (2) and then on again.

Automatic cook start

This function makes cooking easier because you do not have to be present. The touch control pre-programmes the chosen hot plate at the maximum power and lowers it to the desired power (which you have selected) after a given amount of time (see table 2).

Table 2

Selected power	Automatic Cook Start Function (Time in seconds)
1	50
2	90
3	150
4	220
5	320
6	540
7	150
8	240
9	—

SWITCHING THE AUTOMATIC COOK START FUNCTION ON

- 1 Set a hot plate to power 9 and then press the touch button **⏻**. The power display will flash 9 and 8 alternately. Lower the touch button to the desired cooking power (for example 6). The display will flash 6 and 8 alternately.

GB**Example:**

You want to cook at power level 5 and program a quick heat at the beginning.

Choose power level 9. Press the touch button ⊕ again and the power display will flash 9 and 8 alternately. Then press the touch button ⊖ to lower it to power level 5. The system keeps the hot plate at power level 9 (maximum) for 540 seconds, flashing 5 and 8 alternately, and then (after 540 seconds) it automatically lowers to continuous cooking level 5.

CHANGING THE POWER LEVEL DURING AUTOMATIC COOK START

- 1 Use the touch button ⊕ (3) to change the power level.

When the power is increased using the touch button ⊕ (3) the time that has passed until then is taken into account

Example:

You have chosen power level 7 (50 seconds automatic cook start) and after 20 seconds you change it to 4 (220 seconds). The automatic cook start will be 200 seconds (220 minus 20).

DISCONNECTING THE AUTOMATIC COOK START FUNCTION

After at least 10 seconds have passed since the automatic cook start function was activated:

- 1 Press the touch button ⊖ (4). The automatic cook start function will be deactivated.

Stopwatch function

This function allows you to set a time, after which a warning sound is heard.

To activate the function:

- 1 With the touch control on and the timer not set for any hot plate, simultaneously press the clock touch buttons ⊖ or ⊕ (13/14).
- 2 The clock display switches on (11), displaying 00, and the pilot light (19) will flash.
- 3 Press the touch buttons ⊖ or ⊕ (13/14) again until you set the desired time. After a few seconds

the decimal point will start to flash, showing that the countdown has begun.

Once the countdown is complete, you will hear a series of beeps, which you can stop by pressing any of the touch buttons.

If at any time during the countdown function all of the hot plates are at power level 0, the touch control will switch off after a few seconds, but the stopwatch will continue to the end of the countdown or until you stop it.

To stop the stopwatch, just set the remaining time to 00. Firstly, to select it, simultaneously press the touch buttons ⊖ and ⊕ (13/14).

Timer function

This function makes the cooking process easier because you do not have to be present: the timed hot plate(s) will switch off automatically after the set time has lapsed. There is a separate timer for each hot plate, which allows all of the hot plates to be timed simultaneously.

The function is controlled using the clock (15) increase/decrease time touch buttons ⊖ and ⊕ (13/14).

Timing ONE hot plate.

To activate the timer for one hot plate:

- 1 Connect the appliance and activate one or several hot plates at a set power level.
- 2 Simultaneously press the clock touch buttons ⊖ or ⊕ (13/14).
- 3 The display comes on (11), displaying 00. The clock pilot light (19) will flash.
- 4 Press both touch buttons successively until the pilot light for the hot plate that you want to time switches on (12).
- 5 Use the clock ⊖ or ⊕ touch buttons (13/14) to select a cooking time between 1 and 99 minutes. The increase touch button (14) starts at 1, and the decrease button (15) at 30.

The timer will be set for the hot plate. Once the countdown is complete, the timed hot plate will switch off and you will hear a series of beeps, which you

can stop by pressing any of the touch buttons.

Setting the timer for more than one hot plate.

Repeat the steps above.

Changing the programmed time.

You can change the time afterwards.

- 1 Simultaneously press the clock touch buttons ⊖ or ⊕ (13/14).
- 2 Press both touch buttons successively until the pilot light for the hot plate that you want to time switches on (12).

Now you can read and change the value. If you want to cancel the timer early, use the touch button ⊖ (13) to set it to 00.



Remember that if during the countdown you switch the touch control off by pressing the off button ❶ (2) the countdown will be cancelled!

Locking the hot plate touch buttons

You can use the lock button ❷ (7) to lock all of the buttons on the touch control panel. This prevents functions from being activated accidentally and children from playing with the controls.

To activate or deactivate the function, keep the touch button ❷ (7) pressed down for around 1 second. When the function is activated, the pilot light (9) lights up.

Remember that when the touch control is on, you can still switch it off using the off button ❶ (2) even if the lock function is activated (pilot light 9 on). When you reconnect the cooker using the touch button ❶ (1), to be able to operate the touch control you must first deactivate the lock function by pressing the touch button ❷ (7) again.

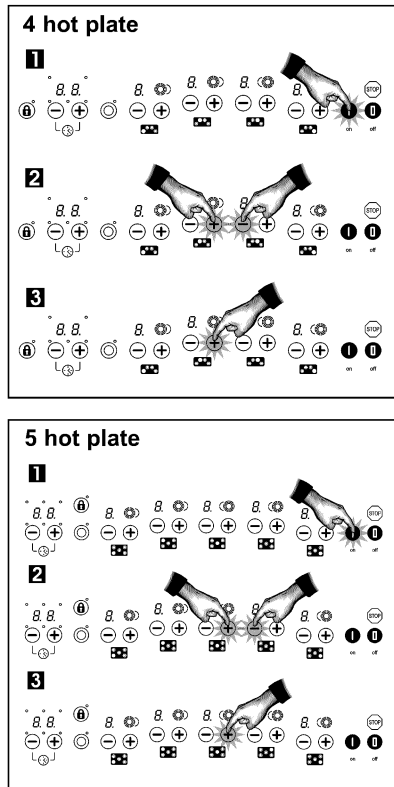
Child safety

This function prevents children from connecting the appliance deliberately or accidentally.

The safety function must be activated after the appliance has been connected, following the steps in figure A. Firstly press the on button (step 1). Then simultaneously press the touch

buttons ⊕ and ⊖ shown in the figure (step 2). Next, press the power increase button ⊕ (step 3). The touch buttons that you need to press vary depending on whether the appliance has four or five hot plates.

Figure A:



Once the function is activated, an L (for Locked) will appear on the power displays (16), to show that the control panel is locked.

The electronic control will remain locked, even after the control has been disconnected using touch button ① (1), as long as the user does not unlock it.

Unlocking to cook

If you want to unlock the touch control to cook, press the touch button ① (1) to activate the touch control. Then straight away press the touch buttons ⊕ and ⊖ (3/4) simultaneously, following steps 1 and 2 in figure A.

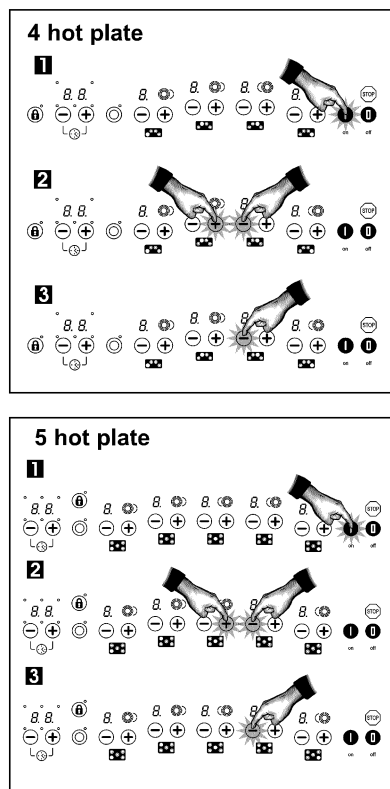
The L will disappear and you can operate the panel as usual. When you disconnect the control using the off button ① (2), the safety function will be reactivated and it will appear again the next time the touch control is activated.

Cancelling the safety function

The safety function must be deactivated after the appliance has been connected, following the steps in figure B. Firstly press the on button (step 1). Then simultaneously press the touch buttons ⊕ and ⊖ shown in the figure (step 2). Next, press the power decrease button ⊖ (step 3). The touch buttons that you need to press vary depending on whether the appliance has four or five hot plates.

When the control is reactivated, the appliance will be ready to start cooking. In the event of a power cut, the lock function (if activated) will be cancelled.

Figure B:



Power surges

When the touch control system is subjected to a higher voltage than the usual ranges allowed in power grids, the hot plates will disconnect and a continuous beep will be heard. The following message flashes on the hot plate displays *:

U400

When the nominal voltage is re-established, the beeping stops and the

message on the displays disappears. The hot plates remain disconnected and the H indicating residual heat remains on the displays if these were on before the surge. The appliance is then ready to be used.

The touch control detects these power surges whenever the appliance is connected to the mains, even if it is not being used at that moment. The alarm described above might therefore be activated even when the touch control is switched off.

⚠ **Unusually high power surges can damage the control system (like with any electrical appliance).**

Tips for using ceramic hot plates

- * Use pots and pans with a heavy and completely flat base.
- * Pans with a smaller diameter than the shown heated area are not recommended.
- * Do not slide pots and pans over the glass because they could scratch it.
- * Although the glass can take knocks from large pots and pans without sharp edges, try not to knock it.
- * To avoid damaging the surface, do not drag pots and pans over the glass and keep the underneath of them clean and in good condition.

⚠ **Try not to spill sugar or products containing sugar on the glass because while the surface is hot they could damage it.**

Cleaning and maintenance

To keep the appliance in good condition, clean it using suitable products and tools once it has cooled down. This will make the job easier and avoid the build-up of dirt. Never use harsh cleaning products or tools that could scratch the surface, or steam-operated equipment.

Light dirt not stuck to the surface can be cleaned using a damp cloth and a gentle detergent or warm soapy water. However, for deeper stains or grease use a special cleaner for ceramic hot plates and follow the instructions on the bottle. Dirt that is firmly stuck due to being burned repeatedly can be removed using a scraper with a blade.


Slight tinges of colour are caused by pots and pans with dry grease residue underneath or due to grease between


GB

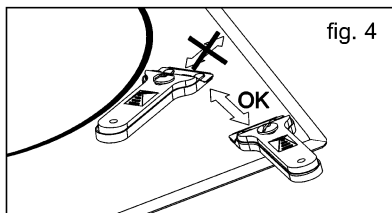
the glass and the pot during cooking. These can be removed using a nickel scourer with water or a special cleaner for ceramic hot plates. Plastic objects, sugar or food containing a lot of sugar that have melted onto the surface must be removed immediately using a scraper.


Metallic sheens are caused by dragging metal pots and pans over the glass. They can be removed by cleaning thoroughly using a special cleaner for ceramic hot plates (Vitroclen, for example), although you may need to repeat the process several times.

Warning:


 Handle the glass scraper carefully. The blade could cause injury!

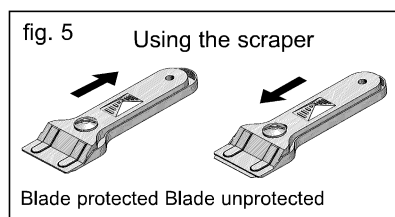
 If you use the scraper incorrectly, the blade could break and a fragment could get caught between the surrounding trim and the glass. If this happens, do not try to remove it using your hands, carefully use tweezers or a knife with a fine edge. (See fig. 4)




 Only use the blade on the ceramic surface, avoiding the scraper casing coming into contact with the glass because this could scratch it.

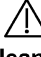
 Use blades in perfect condition. Immediately replace the blade if it is damaged in any way.

 After you have finished with the scraper, withdraw the blade and lock it. (See fig. 5)




 A pot or pan may become stuck to the glass due to a product

having melted between them. Do not try to lift the pot while the hot plate is cold! This could break the glass.

 Do not step on the glass or lean on it as it could break and cause injury. Do not use the glass as a surface for placing objects.

TEKA INDUSTRIAL S.A. reserves the right to make changes to its manuals without affecting the product's essential features.

Environmental aspects

The symbol  on the product or packaging means that this product cannot be treated like usual household waste. This product must be taken to a recycling collection point for electrical and electronic appliances. By ensuring that this product is disposed of correctly, you will avoid harming the environment and public health, which could happen if this product is not handled properly. For more detailed information about recycling this product, please contact your local authority, household waste service or the store where you purchased the product.

The packaging materials used are environmentally-friendly and can be recycled completely. Plastic components are marked >PE<, >LD<, >EPS<, etc. Dispose of packaging materials, like household waste, in your local container.

Malfunctioning

Before you contact the Technical Service, please perform the following checks.

The appliance does not work:


Ensure that the power cable is plugged in.

The pot sticks to the glass:

If there is molten material between the pot and the glass, set the hot plate to maximum power and try to separate them.

Message U400 and acoustic warning:

Power surge. Contact your electricity company.

Continuous beep, control disconnected and symbol  on display:

There is an object or liquid on the

touch control. Remove any object or liquid on the touch control.

A hot plate disconnects and message E2 appears on the display:

If during cooking the temperature in the control electronics is excessive, the hot plates near the control might disconnect to avoid damages. Excessive temperature problems during cooking only occur in extreme cases (cooking at maximum power for a long time). In any case, leave the hot plate to cool down for a few minutes. If the problem persists, check that the appliance was installed in accordance with these manual instructions.