

Mixer

User's manual

EN



SENCOR®

SBL 4371

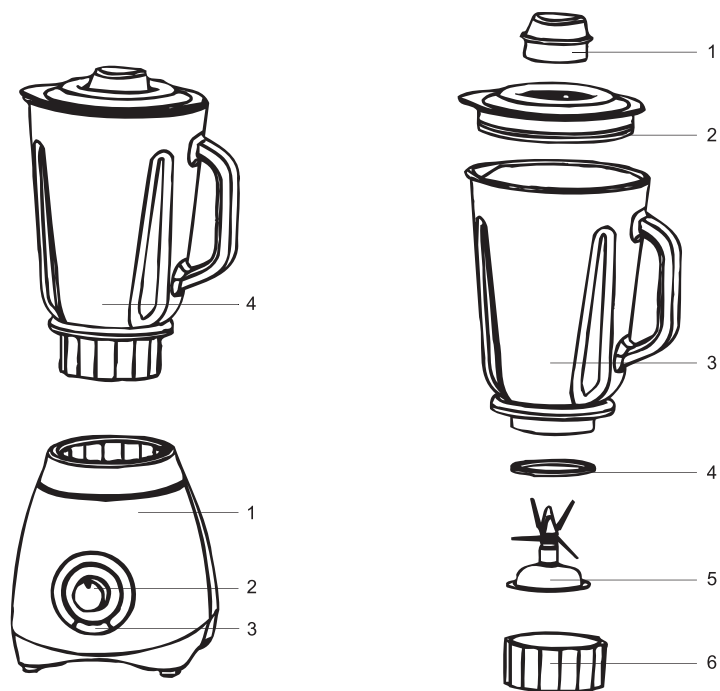
Prior to using this appliance, please read the user's manual thoroughly, even in cases, when one has already familiarised themselves with previous use of similar types of appliances. Only use the appliance in the manner described in this user manual. Keep the user's manual in a safe place where it can be easily retrieved for future use.

We recommend saving the original shipping cardboard box, packaging material, receipt and warranty card for the duration of warranty. In the case of transportation, pack the appliance using the original packaging materials only.

IMPORTANT SAFETY MEASURES

- This appliance may not be used by any persons (including children) with mental disabilities, weak strength or by inexperienced persons, unless they have been properly trained or schooled in the safe use of the appliance, or unless they are properly supervised by a qualified person who is responsible for their safety.
- Children must be supervised to ensure that they do not play with the appliance.
- Before connecting this appliance to the socket outlet, make sure the voltage stated on the label of the appliance corresponds to the voltage in your wall socket.
- Never use accessories, which have not been supplied with this appliance or which are not designed for this appliance.
- Always place the appliance on an even and stable surface.
- Do not place the appliance on window sills or unstable surfaces.
- Do not use the appliance in an industrial environment, or outdoors!
- The appliance is designed only for household use and constructed for processing the usual amount of food in a household.
- If you will not be using the appliance, turn the control dial to position 0 and disconnect the power cord from the power socket. Store the appliance out of children's reach.
- Never use the mixer on a hot plate or gas stove or near appliances that are sources of heat.
- Make sure that the electric cable and plug cannot get in contact with water or dampness.
- Make sure the power cable does not hang over the edge of a table, or that it does not touch a hot surface.
- Before disconnecting the power cord from the power socket, turn of the appliance by turning the control dial to position 0.
- Do not disconnect the appliance from the power socket by pulling on the power cord - danger of damaging the power cord / power socket. Disconnect the cable from the power socket by gently pulling the plug of the power cord.
- Do not use a appliance with a damaged power cord. If the power cord is damaged, it must be replaced by an authorised service centre or by a similarly qualified person, this will prevent the creation of a dangerous situation.
- Entrust all repairs and adjustments to a specialised company/service. Unqualified tampering with the appliance may result in injury by electric shock.
- Do not use the appliance for any other purposes than those intended.
- Always disconnect the appliance from the power socket if you will be leaving it without supervision and before assembly, disassembly or cleaning.
- Do not put your hands into the mixing container while the appliance is in operation.
- Do not put objects into the mixing container other than ingredients or liquids, which are to be mixed.
- Do not process hot or boiling liquids. Before mixing allow them to cool down to at least 60 °C.
- Do not leave the appliance in continuous operation for longer than 2 minutes. Before turning it on again, allow the motor to rest for at least 2 minutes.
- When mixing hard ingredients or large doses of ingredients/liquids do not operated the appliance for longer than 1 minute.
- Attention! The mixing knives are sharp! Under no circumstances should you touch them when the appliance is in operation! When cleaning the knives follow the instructions in the Care and Cleaning chapter.

DESCRIPTION OF THE MIXER



- 1) Body of the appliance
- 2) Control dial for setting the speed (P-0-1-2)
P – Pulse level
0 – Turned off
1 – Speed level 1
2 – Speed level 2
- 3) Pulse button for crushing ice
- 4) Mixing container

Mixing container components

- 1) Inside lid
- 2) Plastic outside lid
- 3) Glass mixing container volume 1,5 l
- 4) Seal ring
- 5) Knife unit
- 6) Nut for fastening the knife unit to the mixing container

OPERATION OF THE MIXER

Before first use it is necessary to clean the mixing container, the knife unit, the inside and outside lid and seal ring in warm water with dish cleaning detergent. Then thoroughly rinse these parts under flowing water and dry thoroughly.

ASSEMBLING THE MIXER

Assembling the container

Place the seal ring on the knife unit. Insert the knife unit into the opening in the bottom part of the container and fasten using the screw nut.

Attaching the container to the body of the appliance

Place the mixing container on the body of the appliance. Check that it is correctly seated.

USING THE MIXER

Pour the liquids or insert the ingredients you wish to process into the container. Close the container with a lid and check that the lid is properly secured to the mixing container. Place the inside lid into the opening in the lid and secure it by turning it clockwise. Note Release the inside lid by turning it anticlockwise.

Connect the appliance to a power socket and set the speed to 1 or 2 using the control dial. The speed can be changed at any time during mixing. We recommend to always start mixing at the speed level 1 and then to increase the speed if necessary.

If you wish to process ingredients for only a short time, turn the control dial to position P (pulse level) and hold in this position for a short time.

Before mixing, cut fruit, vegetables, cheeses, meats, etc. into smaller pieces.

The maximum capacity of the mixing container is 1.5 L. We recommend that the mixing container is not filled with more than 1 L of liquid.

Some liquids or ingredients gain volume during the course of mixing. Process them gradually in smaller doses.

If the mixed ingredients become stuck in the knife unit or on the walls of the mixing container, turn off the mixer and remove the power cord from the power socket. Before you remove the container from the body of the appliance check that the knives have come to a complete stop. Using a kitchen spatula loosen the ingredients and mix. Do not use your fingers because the knives are very sharp.

Never place fingers, hands or any kitchen utensils inside the mixing container if the appliance is in operation.

This mixer is designed for:

- mixing liquids, e.g. when preparing milkshakes, fruit beverages, etc.
- for the preparation sauces, spreads, mayonnaises, dressings, etc.
- mixing of cooked ingredients, e.g. preparing baby food
- crushing ice

INSTRUCTIONS FOR PROCESSING INGREDIENTS

Ingredients	Speed	Recommended mixing time
Fruit, vegetables (cut into smaller pieces)	1	30 s
Baby food	1	40 s
Spreads, dressings, marinades	1	30 s
Cocktails and smoothies	2	40 s
Soups	2	30 s
Ice cubes	P (Pulse level)	

The above mixing times are only a reference. The actual mixing time depends on the amount of processed ingredients and on the required consistency of the final meal.

CARE AND CLEANING

Cleaning the mixing container

Remove the mixing container from the body of the appliance and empty it. Pour clean water (about 0.5 L) into the container and close the lid. Place the container on the body of the appliance. Ensure that the control dial is in position 0. Press and briefly hold down the PULSE button or press it repeatedly. In this way you will release the remains of mixed ingredients from the container and the knife unit. Disconnect the mixer from the power socket. Ensure that the mixing knives have come to a full stop. Remove the container from the body of the appliance and pour out the water. Disassemble the container and thoroughly clean the individual parts using warm water and kitchen detergent. Then thoroughly rinse under flowing water and dry thoroughly.

Attention! The appliance's mixing knives are sharp! When handling them, pay extra attention.

Clean the body of the appliance with a lightly damp cloth and dry it. Never submerge this part of the appliance in water or in any other liquid.

Do not use any abrasive cleaning appliances, petrol or solvents to clean the appliance and its accessories.

Place the appliance in a clean, dry place out of reach of children.

TECHNICAL SPECIFICATIONS:

220–240 V ~ 50 Hz, 600 W

Electric shock protection class: II (double insulation)

Operating time: max. 2 min

Noise level: 92 dB (A)

The declared noise emission level for this appliance is 92 dB(A), which represents level A of the acoustic power relative to the reference acoustic power of 1 pW.

INSTRUCTIONS AND INFORMATION REGARDING THE DISPOSAL OF USED PACKAGING MATERIALS

Dispose of packaging material at a public waste disposal site.

DISPOSAL OF USED ELECTRICAL AND ELECTRONIC EQUIPMENT



The meaning of the symbol on the product, its accessory or packaging indicates that this product shall not be treated as household waste. Please, dispose of this product at your applicable collection point for the recycling of electrical & electronic equipment waste. Alternatively in some states of the European Union or other European states you may return your products to your local retailer when buying an equivalent new product. The correct disposal of this product will help save valuable natural resources and help in preventing the potential negative impact on the environment and human health, which could be caused as a result of improper liquidation of waste. Please ask your local authorities or the nearest waste collection centre for further details. The improper disposal of this type of waste may fall subject to national regulations for fines.

For business entities in the European Union

If you wish to dispose of an electrical or electronic device, request the necessary information from your seller or supplier.

Disposal in other countries outside the European Union

If you wish to dispose of this product, request the necessary information about the correct disposal method from local government departments or from your seller.



This product meets all the basic EU regulation requirements that relate to it.

Changes to the text, design and technical specifications may occur without prior notice and we reserve the right to make these changes.